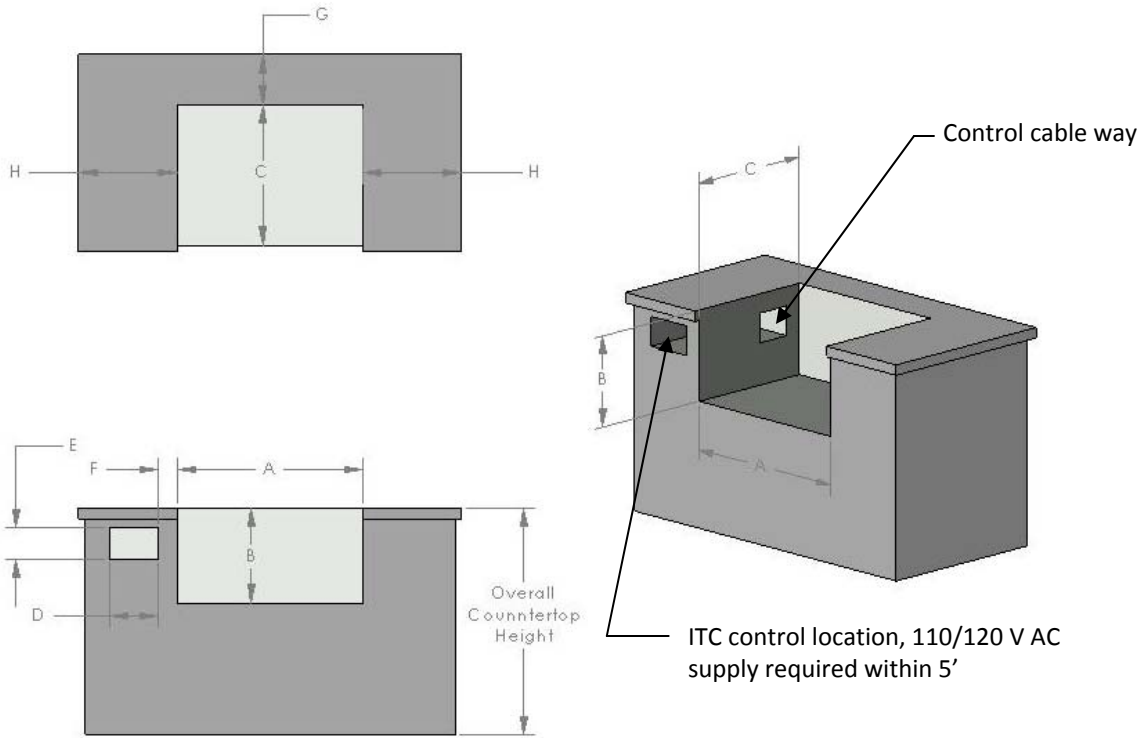


## Memphis Pro Built-In Cutout Dimensions



	<i>Memphis Pro</i>	Tolerances
A	30"	+/- 0.125"
B	15.375"	+/- 0.125"
C	22.875"	+/- 0.125"
D	8"	+/- 0.125"
E	5"	+/- 0.125"
F	3"-12"	+/- 0.25"
G	6" Min.*	+/- 0.25"
H	18" Min.*	+/- 0.25"

**⚠ Warning:** The Structure, "island", countertops and adjacent work areas for the built-in grill installation must be built from noncombustible materials only.

The *Memphis Pro* Requires a 110/120 V AC supply. The *ITC* is supplied with a 3-prong grounding plug. To minimize possible shock hazard, the cord must be plugged into a mating 3-prong ground-type outlet, grounded to conform with the National Electrical Code, ANSI/NFPA 70 latest edition, Canadian Electrical Code (CSA) and all local codes and ordinances.

\*Minimum Clearance to Surfaces or Structures