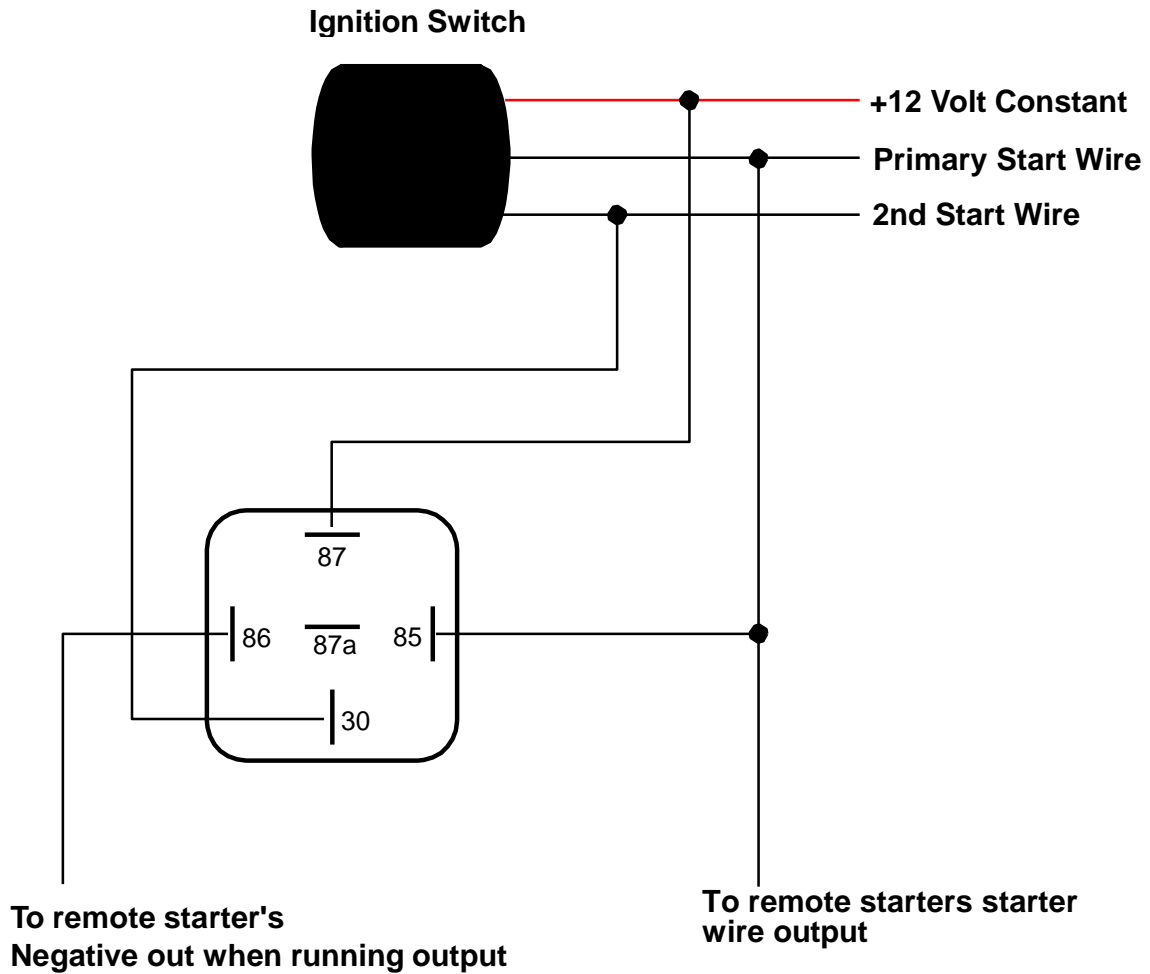


2nd Starter Wire Relay



This configuration is used for vehicles equipped with a positive second starter wire that must be connected for a remote starter to work properly. If the vehicle has a NEGATIVE 2nd starter wire, connect PIN-87 of the above relay to a constant ground instead of the positive input.