



UNIQUELY CODED SAFETY SENSOR – CMA

Mechan Safety Switch Heads type 'CMA' are uniquely coded versions of the Standard FMA series and will work with any standard Mechan control unit.

They are useful in situations where the highest security against tampering is required.

They may also be used as a 'Master Key' in a control panel to prevent start up when personnel are in dangerous areas.

Triple versions safely allow operators into fenced areas and then permit the running of a selected machine within that area.



HIGH IMMUNITY SENSOR – SFMA

The Mechan 'SFMA' Safety Switch sensors are especially recommended in situations of extremely high electrical noise levels for example where Variable Speed AC drives have been fitted and the Motor and sensor cables are in a common ducting and cannot be separated.

SFMA sensors far exceed the requirements of the current heavy industrial EMC standard.



HAZARDOUS ATMOSPHERE SENSOR – ExM

Mechan Safety Switch heads type FMA Ex and FMT Ex are certified for use in areas where explosive gases are present in the atmosphere.

Samples of these heads were tested by SABS to their standard 1606.1984

incorporating IEC 79-0:1983 and IEC 79-18 1982 .A copy of test certificate No. 777/86780/L724 is supplied with each shipment of heads.



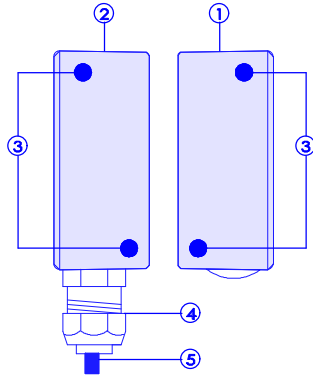
TECHNICAL SPECIFICATION

SAFETY SWITCH SENSORS - TYPES CMA / SFMA / FMTE_x

PRODUCT IDENTIFICATION

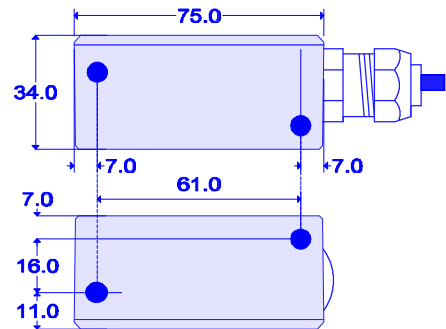
- 1 Safety Sensor Oscillator (Moving Part)
- 2 Safety Sensor Receiver (Fixed Part)
- 3 Fixing Holes (2 x 6 mm diameter)
- 4 Cable protection / conduit gland
- 5 Cable encapsulated into sensor

Note : Construction and fixing centres are the same for all three versions.



DIMENSIONS / FIXING

The dimension through the fixing holes is 32 mm



SPECIFICATION

Part Numbers	CMA (+ cable length i.e. 5m / 10m)	SFMA (+ cable length i.e. 5m / 10m)	FMTE _x (+ cable length i.e. 5m / 10m)
Construction	ABS Case; Resin filled	ABS Case; Resin filled	ABS Case; Resin filled
Colour	Orange	White	Black
IP Rating	IP67	IP67	IP67
Fixing	2 x 6 mm diameter holes	2 x 6 mm diameter holes	2 x 6 mm diameter holes
Cable Type	Twisted pair, Foil Shield & Drain	Twisted pair, Foil Shield & Drain	Twisted pair, Foil Shield & Drain
Cable Lengths Available	5,10 & 15 metres . Longer to special order	5,10 & 15 metres Longer to special order	5,10 & 15 metres . Longer to special order
Cable Protection Adaptors	16 mm liquid tight flexible conduit adaptor	16 mm liquid tight flexible conduit adaptor	20 mm Brass Male Thread

(The above cable adaptors are available from stock, specials can be made to order)

ADDITIONAL ORDERING INFORMATION

- 1 Part Numbers : For the SFMA with 5 metres of cable the part number = SFMA-5M
- 2 The cable can be extended using a similar type of cable (Belden 8761 or equivalent) Maximum length 100 Metres.

See the 'F' Series Safety System literature, document number: **f-lit-v2** for more general information or the 'F' Series Installation Guide for detailed installation notes, document number **f-ins-v1**



The 'F' series Mechan Safety switch complies with all relevant Essential Health and Safety Requirements of the Machinery Directive (89/392/EEC & amendments 91/368/EEC, 94/44/EEC). The 'F' series has been independently tested to meet the 'Heavy Industrial' Specification of the EMC Directive for both emissions and immunity (BS EN 50081-2 & 50082-2) The CE marking relates to the EMC Directive.

Copies of the Certificate of Conformity can be obtained from Mechan Controls Limited

In the interest of product development, specifications are subject to change without notice.
Document No. - fm-sp-V3 / 1/10/98

It is the responsibility of the user to ensure compliance with any acts or by-laws in force.

All information regarding Mechan equipment is believed to be accurate at the time of printing. Responsibility cannot be accepted for errors or omissions.