

Complete boxes **CC** series



Description and technical data

Housing

Made of shock proof technopolymer and with double insulation
 Complete with emergency stop mushroom-head push button, EN 418 compliant
 First knock out lateral conduit entry PG 13,5 / M20x1,5 / 1/2 NPT
 Second knock out lateral conduit entry PG 11 / 3/8 NPT
 Knock out conduit entry from bottom PG 13,5 / M20x1,5 / 1/2 NPT
 Protection degree: IP65
 Stainless steel fixing cap screws

Actuator

Ambient temperature: from -25°C to +70°C
 Mechanical endurance: 0,3 million operations cycles¹
 (1) One operation cycle means two movements, one to close and one to open contacts, as foreseen by IEC 947-5-1 standard.

Markings:



Complying with the requirements requested by: Low Voltage Directive 73/23/EEC and subsequent modifications and completions, Machinery Directive 98/37/EEC, Electromagnetic Compatibility 89/336/EEC and subsequent modifications and completions.

Positive contact opening complying with the standards: IEC 947-5-1, EN 60947-5-1, CEI EN 60947-5-1, VDE 0660-206.

Cross section of the conductors (flexible lead wire)

Contact block: min. 1 x 0,75 mm² (1 x AWG 18)
 max. 1 x 2,5 mm² (1 x AWG 14)

Conforms to the standards:

IEC 947-5-1, EN 60947-5-1, CEI EN 60947-5-1, EN 418, UL 508

Contacts

Double break, positive opening NC contacts in accordance to IEC 947-5-1, terminals with holding screws system and self lifting plates. Loosened screws supplied for an easier wiring, having protection degree IP 20 made with self extinguish material V0 according to UL 508.

Electrical data

| | | |
|--------------------|---|---------------|
| without connectors | Thermal current (I _{th}): | 16 A |
| | Rated insulation voltage (U _i): | 500 V~ 600 V= |
| | Pollution degree: | 3 |

| | | |
|-----------------------------|---|---------------|
| with 4 poles M12 connectors | Thermal current (I _{th}): | 4 A |
| | Rated insulation voltage (U _i): | 250 V~ 300 V= |
| | Pollution degree: | 3 |

Utilization categories

| | | | | | | |
|------------------------------------|----|-----|------|-----|------|-----|
| Alternate current: AC15 (50÷60 Hz) | | | | | | |
| U _e (V) | 24 | 60 | 110 | 230 | 400 | 500 |
| I _e (A) | 16 | 12 | 8 | 6 | 4,5 | 3 |
| Direct current: DC13 | | | | | | |
| U _e (V) | 24 | 48 | 60 | 110 | 220 | |
| I _e (A) | 2 | 1,2 | 0,85 | 0,4 | 0,25 | |

| | | | |
|------------------------------------|----|-----|-----|
| Alternate current: AC15 (50÷60 Hz) | | | |
| U _e (V) | 24 | 110 | 230 |
| I _e (A) | 4 | 4 | 4 |
| Direct current: DC13 | | | |
| U _e (V) | 24 | 110 | 220 |
| I _e (A) | 4 | 1,1 | 0,4 |

How to order

Attention! The feasibility of a code number does not mean the effective availability of a product. Please contact our sales office

CC 01AAB00AB-K71

Actuator

AAB ø 40 mm push button
 EN 418 compliant

M12 assembled connectors (see chapter 17)

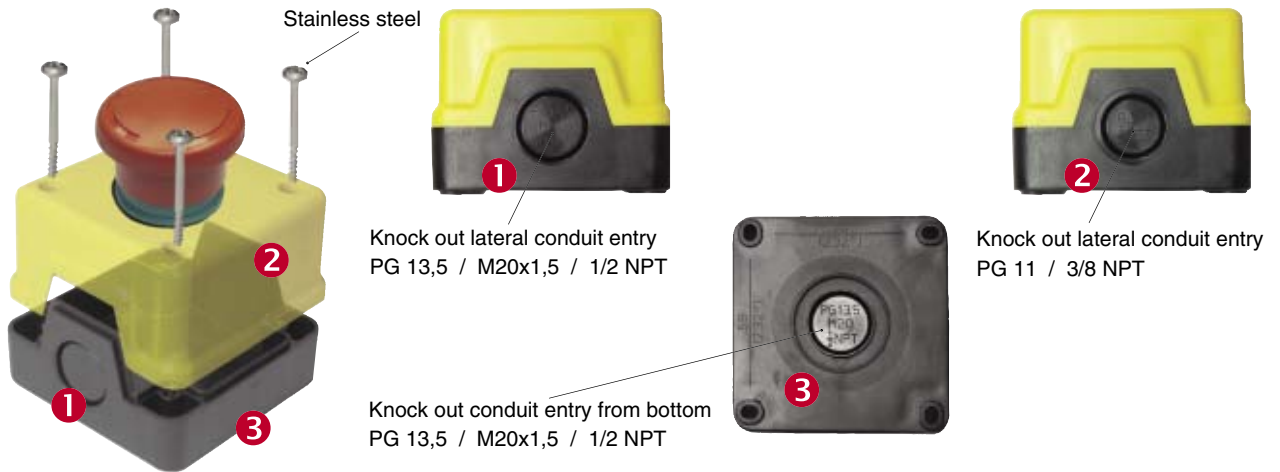
no connector (standard)

K71 4 poles, plastic body

Contact diagrams

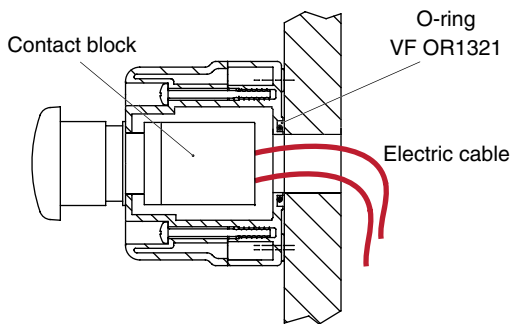
| | |
|-----------|---------|
| AB | 1NC |
| AC | 2NC |
| AD | 1NC+1NO |

Conduit entries disposition

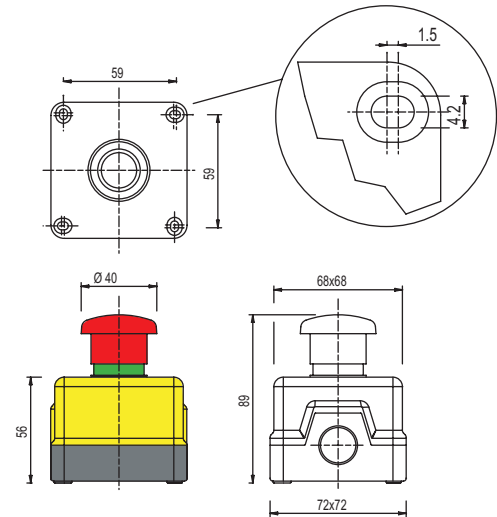


Knock out conduit entry from bottom

Using the lower entry for wiring, it is feasible to keep the protection degree IP 67 using an O-ring (art. VF OR1321) placed in the seat as you can see in the next image.



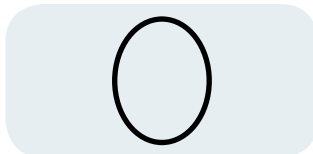
Dimensional drawings



12.2

O-ring

10 pcs packs



| |
|------------------------|
| Article |
| VF OR1321 |
| Anti-oil rubber O-ring |

Versatility

The boxes CC series foresee conduit entry designed in square form, purpose to use the easiest entry for installation. The double gate in the cap allows to install the push button in two orthogonal positions. The symmetric cap allows to orient the conduit entry of the box towards the easier way without changing the button orientation in the cover.

