

# v-solenoid II<sup>TM</sup> ATEX Ex SERIES

ATEX Ex, Direct Mounting NAMUR solenoid valves  
for process valve actuators



*Designed and Conceived in Canada*

**Veltri Controls**

**WORLD CLASS VALVE ACCESSORIES<sup>TM</sup>**

# v-solenoid II™


## ATEX Ex SERIES



ATEX Ex , Direct Mounting NAMUR  
solenoid valves for process valve actuators

### Features

- ATEX Ex certified components approved for hazardous locations:

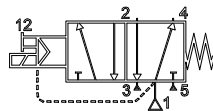
-  II 2G EEx m II T6, T5, or T4
- IEC Ex m II T6, T5, or T4

- Robust, Reliable and Compact design provides bubble-tight shut-off and high cycle life.
- Corrosion resistant construction with standard manual override.
- Direct mounting conforms to Namur VDI/ VDE 3845 standard.
- 5/2 and 3/2 function selectable via 180° rotation of single adapter plate.
- Exhaust feedback - provides spring chamber with instrument air preventing corrosion.
- Wide operating temperature range -4°F to +122°F [-20°C to +50°C].  
Optional Low Temp to -40°F [-40°C]
- Also available: Intrinsically Safe and CSA/FM Explosion proof.



### Function

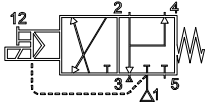
# 5/2



5/2 configuration for double-acting actuators. De-energized state,

with supply to port 1, flow is directed to port 4 and port 2 is vented to atmosphere via port 3.

# 3/2



3/2 configuration for spring return actuators. De-energized state,

supply port 1 is blocked and port 2 exhaust is fed back to port 4 with excess vented to atmosphere via port 3.

### Media

- Compressed air, lubricated or non-lubricated
- Instrument air
- Nitrogen

### Applications

- Control of quarter-turn and linear process valve actuators
- Control of diaphragm valves
- General automation

**Veltri Controls** WORLD CLASS VALVE ACCESSORIES

2365 DUNCASTER DRIVE., BURLINGTON, ONTARIO, CANADA L7P 3V9  
TEL: 905-510-8509, FAX: 905-319-3553, E-MAIL: sales@veltricontrols.com www.veltricontrols.com

# v-solenoid II <sup>TM</sup>

## ATEX Ex SERIES

### Specifications:

Temp (Standard): -4°F to +122°F [-20°C to +50°C]  
 (Optional): Low Temp to -40°F [-40°C]

Flow: Cv=0.8

Pressure: 35 to 120 psig [2.5 to 8 bar]

Ports: 1/4" NPT and NAMUR flange

Response: opening (on) 20ms  
 closing (off) 40ms

Media: Compressed air-lubricated or  
 unlubricated, Instrument air, Nitrogen.

### Construction:

Valve body: Reinforced polyamide (PA)  
 Sealing material: Proprietary elastomer  
 Ports: MS zinc plated (stainless optional)

### Options:

- 1/8" NPT Speed controls
- 1/8" NPT Exhaust mufflers
- Mounting Base
- Imperial mounting fasteners

STANDARD DELIVERY INCLUDES:  
 M5 FASTENERS (PLATED) & O-RINGS FOR NAMUR MOUNT.

**COILS W/ INTEGRATED CONNECTOR AND CABLE SOLD SEPERATELY**

### Electrical:

Voltage (+/-10%): 24VDC  
 230VAC 50/60Hz

OTHER COIL VOLTAGES AVAILABLE UPON REQUEST.

### Power consumption:

Temp Class T4,  
 24VDC, Rated power 5.2W

Temp Class T6,  
 220V 50/60Hz, Rated power 2.5VA

Duty cycle: 100% continuous service


Insulation class: F

Connection: Encapsulated Coil and  
 Connector, with Cable

Protection class: IP65

Approvals: PTB ATEX

### Hazardous Locations:

-  II 2G EEx m II T6, T5 or T4 approved
- IEC Ex m II T6, T5 or T4 approved
- Coils are approved according to EN 50 014:1997 +A1+A2 and EN50028:1987 by the Physikalisch-Technischen Bundesanstalt (PTB).

### Ordering Table A: v-solenoid II ATEX Ex SERIES

PART NO.	VALVE
VS2-14NZP	V-SOLENOID II VALVE W/ 1/4" NPT INLET, STD. HARDWARE
VS2-14NZP-LT	V-SOLENOID II VALVE W/ 1/4" NPT INLET, STD. HARDWARE, LOW TEMP

### Ordering Table B: Coil w/ Connector & Cable

PART NO.	VOLTAGE / TYPE
CAX024DC	COIL, 24VDC, W/ CONNECTOR & CABLE (3m) ATEX Ex CERTIFIED
CAX230AC	COIL, 230VAC, W/ CONNECTOR & CABLE (3m) ATEX Ex CERTIFIED

### Ordering Table C: Valve Options

PART NO.	OPTION
A-SC18	SPEED CONTROL, 1/8" NPT
A-EM18	EXHAUST MUFFLER, 1/8" NPT
A-MB14N	MOUNTING BASE, 1/4" NPT
A-MBG14	MOUNTING BASE, G1/4
A-F1032	#10-32 FASTENERS
A-F1024	#10-24 FASTENERS

EXAMPLE 1: V-SOLENOID II VALVE W/ 1/4" NPT INLET, STD. HARDWARE + COIL, 24VDC, W/ CONNECTOR & CABLE (3m) ATEX Ex CERTIFIED = **VS2-14NZP/CAX024DC**

EXAMPLE 2: V-SOLENOID II VALVE W/ 1/4" NPT INLET, **LOW TEMP**, STD. HARDWARE + COIL, 230VAC, W/ CONNECTOR & CABLE (3m) ATEX Ex CERTIFIED = **VS2-14NZP-LT/CAX230AC**

## Veltri Controls WORLD CLASS VALVE ACCESSORIES

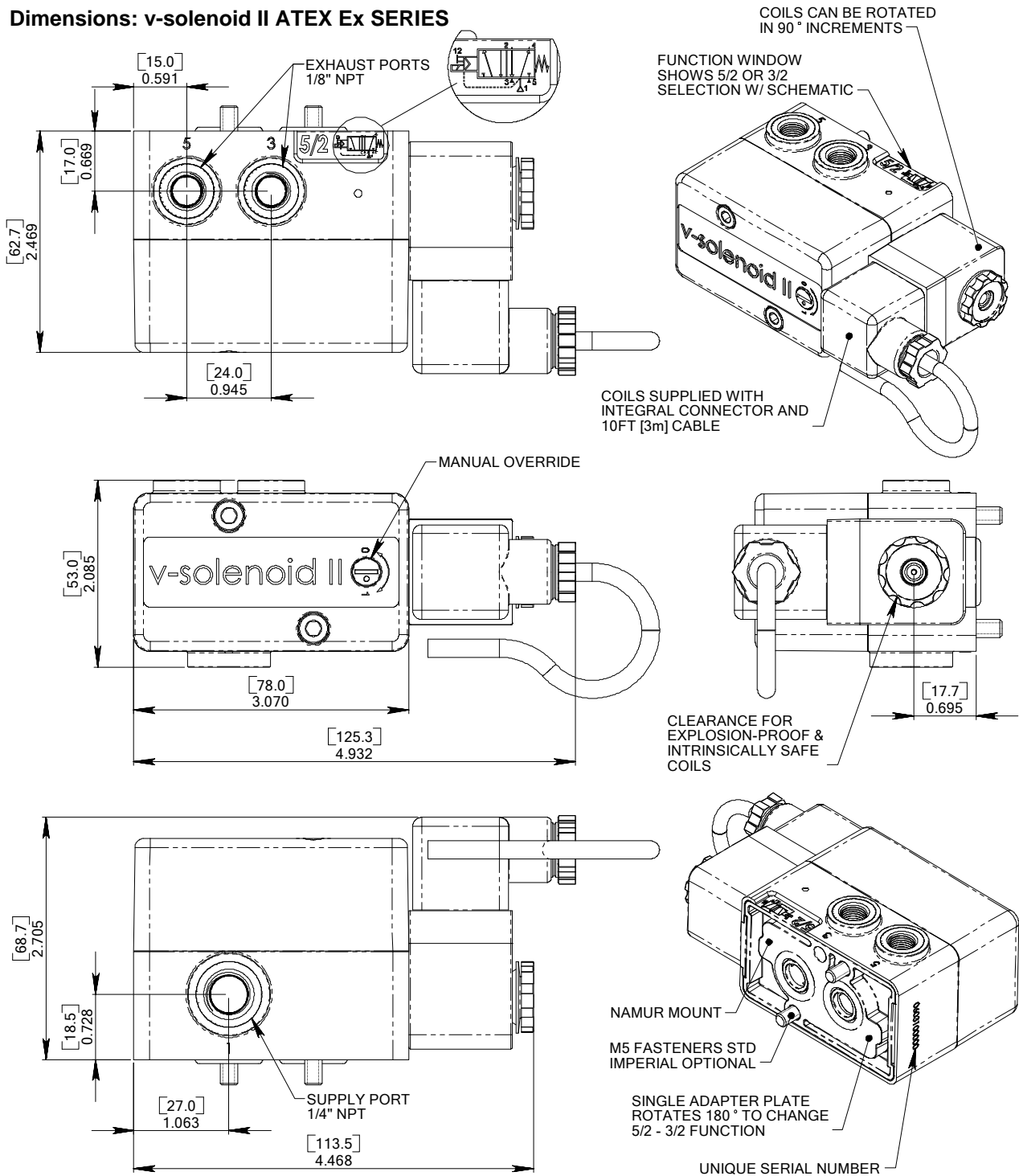
2365 DUNCASTER DRIVE., BURLINGTON, ONTARIO, CANADA L7P 3V9  
 TEL: 905-510-8509, FAX: 905-319-3553, E-MAIL: sales@veltricontrols.com www.veltricontrols.com

# v-solenoid II<sup>TM</sup>

## ATEX Ex SERIES

For Intrinsically Safe, Explosion Proof, or Standard options, please contact **Veltri Controls** or visit our website at [www.veltricontrols.com](http://www.veltricontrols.com) for specific literature relating to these options.

### Dimensions: v-solenoid II ATEX Ex SERIES



As it is our policy to promote continual improvement, we reserve the right to make changes to our products at any time without notice. US and International Patents Pending.

**Veltri Controls** WORLD CLASS VALVE ACCESSORIES

2365 DUNCASTER DRIVE., BURLINGTON, ONTARIO, CANADA L7P 3V9  
 TEL: 905-510-8509, FAX: 905-319-3553, E-MAIL: [sales@veltricontrols.com](mailto:sales@veltricontrols.com) [www.veltricontrols.com](http://www.veltricontrols.com)