

v-solenoid IITM EX-PROOF SERIES

Explosion Proof, Direct Mounting NAMUR solenoid valves for process valve actuators



Designed and Conceived in Canada

Veltri Controls

WORLD CLASS VALVE ACCESSORIESTM

v-solenoid IITM

EX-PROOF SERIES



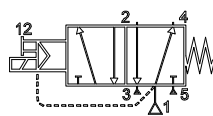
Explosion Proof, Direct Mounting NAMUR solenoid valves for process valve actuators

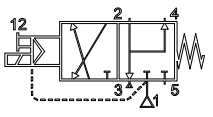
Features

- Explosion proof coils, CSA certified and FM approved for hazardous locations:
 - *Class 1; Zone 1*
 - *Ex m II T4; AEx m II*
 - *Class I; Division 1; Groups A,B,C and D*
 - *Class II; Group E,F and G*
 - *Class III*
- Coils easily changed with a wide selection of voltages available. Other Ex and ATEX options available.
- Robust, Reliable and Compact design provides bubble-tight shut-off and high cycle life.
- Corrosion resistant construction with standard manual override.
- Direct mounting conforms to Namur VDI/VDE 3845 standard.
- 5/2 and 3/2 function selectable via 180° rotation of single adapter plate.
- Exhaust feedback - provides spring chamber with instrument air preventing corrosion.
- Wide operating temperature range -4°F to +140°F [-20°C to +60°C].



Function

5/2  5/2 configuration for double-acting actuators. De-energized state, with supply to port 1, flow is directed to port 4 and port 2 is vented to atmosphere via port 3.

3/2  3/2 configuration for spring return actuators. De-energized state, supply port 1 is blocked and port 2 exhaust is fed back to port 4 with excess vented to atmosphere via port 3.

Media

- Compressed air, lubricated or non-lubricated
- Instrument air
- Nitrogen

Applications

- Control of quarter-turn and linear process valve actuators
- Control of diaphragm valves
- General automation

Veltri Controls WORLD CLASS VALVE ACCESSORIES

2365 DUNCASTER DRIVE., BURLINGTON, ONTARIO, CANADA L7P 3V9
TEL: 905-510-8509, FAX: 905-319-3553, E-MAIL: sales@veltricontrols.com www.veltricontrols.com

v-solenoid IITM

EX-PROOF SERIES

Specifications:

Temperature: -4°F to +140°F [-20°C to +60°C]
 Flow: Cv=0.8
 Pressure: 35 to 120 psig [2.5 to 8 bar]
 Ports: 1/4" NPT and NAMUR flange
 Response: opening (on) 20ms
 closing (off) 40ms
 Media: Compressed air-lubricated or unlubricated, Instrument air, Nitrogen.

Construction:

Valve body: Reinforced polyamide (PA)
 Sealing material: Proprietary elastomer
 Ports: MS zinc plated (stainless optional)

Options:

- 1/8" NPT Speed controls
- 1/8" NPT Exhaust mufflers
- Mounting Base
- Imperial mounting fasteners

STANDARD DELIVERY INCLUDES:
 M5 FASTENERS (PLATED) & O-RINGS FOR NAMUR MOUNT.

EX-PROOF COILS W/ 1/2" CONDUIT CONNECTOR SOLD SEPERATELY

Electrical:

Voltage (+/-10%): 24VDC
 120VAC 50/60Hz

OTHER COIL VOLTAGES AVAILABLE UPON REQUEST.

Power consumption: DC 4.8W
 AC @60Hz 6.9VA
 AC @50Hz 8.5VA

Duty cycle: 100% continuous service

Insulation class: H

Connection: 1/2" NPT conduit entry

Protection class: NEMA types 7,8 & 9

Approvals: CSA, FM

Hazardous Locations:

- Class 1; Zone 1
- Ex m II T4; AEx m II
- Class I; Division 1; Groups A,B,C and D
- Class II; Group E,F and G
- Class III
- Tested according to CAN/CSA-E79-0-95 and CAN/CSA-E79-18-95 for CSA, according to ANSI/ISA-S12.00.01-1999 and ANSI/ISA-S12.23.01-1998 for FM

Ordering Table A: V-Solenoid II Valve

PART NO.	VALVE
VS2-14NZP	V-SOLENOID II VALVE W/ 1/4" NPT INLET, ZINC PLATED HARDWARE
VS2-G14ZP	V-SOLENOID II VALVE W/ G1/4 INLET, ZINC PLATED HARDWARE
VS2-14NSS	V-SOLENOID II VALVE W/ 1/4" NPT INLET, STAINLESS STEEL HARDWARE
VS2G14SS	V-SOLENOID II VALVE W/ G1/4 INLET, STAINLESS STEEL HARDWARE

Ordering Table B: Coil, Explosion-Proof

PART NO.	VOLTAGE / TYPE
CEX024DC	COIL, 24VDC EXPLOSION-PROOF CSA/FM APPROVED
CEX120AC	COIL, 120VAC EXPLOSION-PROOF CSA/FM APPROVED

Ordering Table C: Valve Options

PART NO.	OPTION
SC18	SPEED CONTROL, 1/8" NPT
EM18	EXHAUST MUFFLER, 1/8" NPT
MB14	MOUNTING BASE, 1/4" NPT
F1032	#10-32 FASTENERS
F1024	#10-24 FASTENERS

EXAMPLE 1: V-SOLENOID II VALVE W/ 1/4" NPT INLET, ZINC PLATED HARDWARE + COIL, 120VAC EXPLOSION-PROOF CSA/FM APPROVED + #10-32 FASTENERS = **VS2-14NZP/CEX120AC/F1032**

EXAMPLE 2: V-SOLENOID II VALVE W/ 1/4" NPT INLET, STAINLESS STEEL HARDWARE + COIL, 24VDC EXPLOSION-PROOF CSA/FM APPROVED = **VS2-14NSS/CEX024DC**

Veltri Controls WORLD CLASS VALVE ACCESSORIES

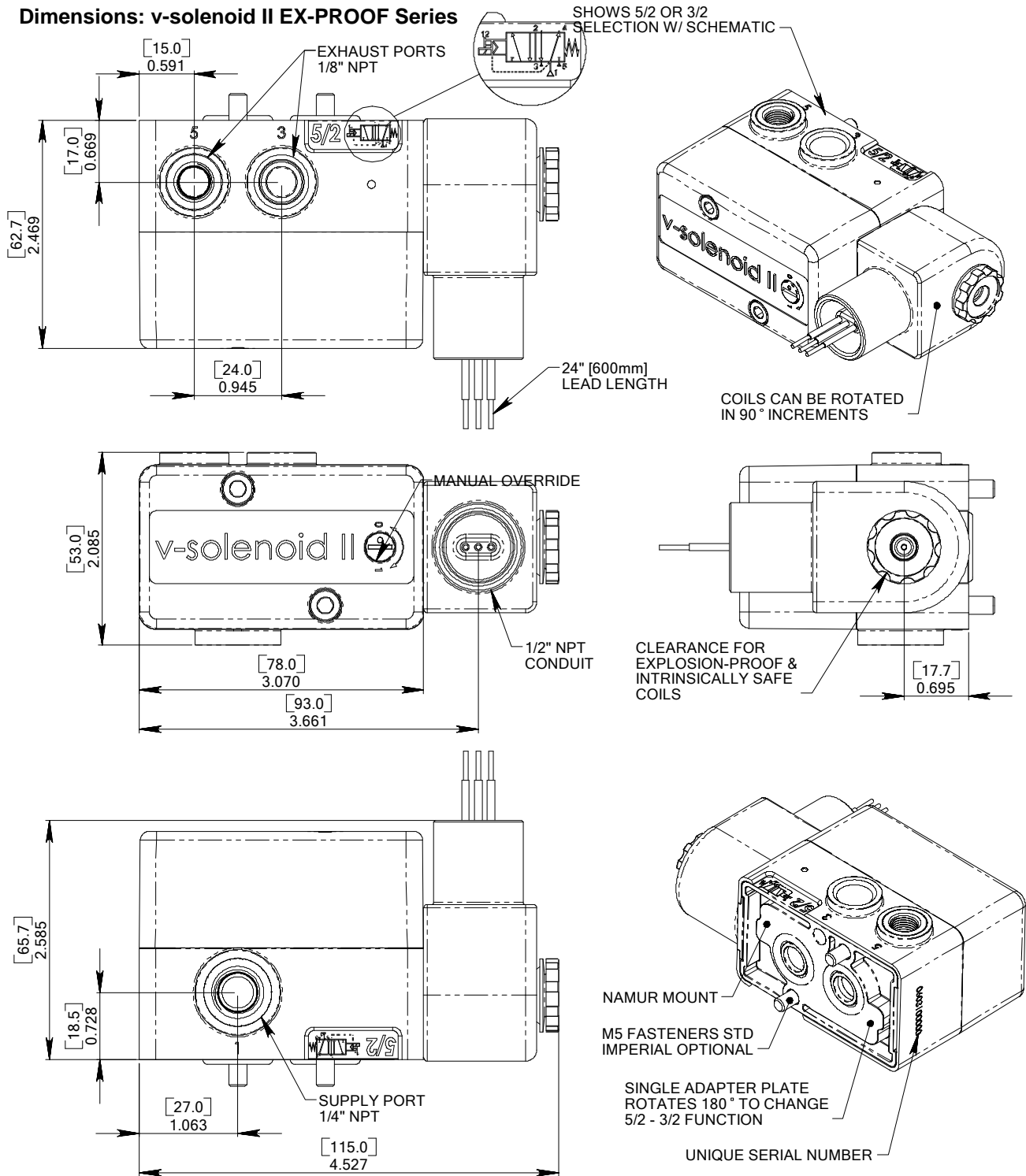
2365 DUNCASTER DRIVE., BURLINGTON, ONTARIO, CANADA L7P 3V9
 TEL: 905-510-8509, FAX: 905-319-3553, E-MAIL: sales@veltricontrols.com www.veltricontrols.com

v-solenoid II™

EX-PROOF SERIES

For Intrinsically safe, ATEX or Standard options, please contact **Veltri Controls** or visit our website at

Dimensions: v-solenoid II EX-PROOF Series



As it is our policy to promote continual improvement, we reserve the right to make changes to our products at any time without notice. US and International Patents Pending.

Veltri Controls WORLD CLASS VALVE ACCESSORIES

2365 DUNCASTER DRIVE., BURLINGTON, ONTARIO, CANADA L7P 3V9
 TEL: 905-510-8509, FAX: 905-319-3553, E-MAIL: sales@veltricontrols.com www.veltricontrols.com