

v-solenoid IITM STANDARD SERIES

Direct Mounting NAMUR solenoid valves
for process valve actuators



Designed and Conceived in Canada

Veltri Controls

WORLD CLASS VALVE ACCESSORIESTM

v-solenoid IITM

STANDARD SERIES



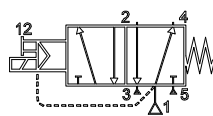
Direct Mounting NAMUR solenoid valves for process valve actuators

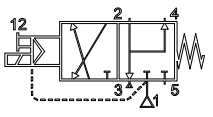
Features

- Robust, Reliable and Compact design provides bubble-tight shut-off and high cycle life.
- Corrosion resistant construction with standard manual override
- Direct mounting conforms to Namur VDI/VDE 3845 standard.
- 5/2 and 3/2 function selectable via 180° rotation of single adapter plate.
- Exhaust feedback - provides spring chamber with instrument air preventing corrosion.
- Coils certified to CSA and UL standards. Coils easily changed with a wide selection of voltages available.
- Wide operating temperature range -4°F to +140°F [-20°C to +60°C]
Optional Low Temp to -40°F [-40°C]
- Explosion proof, Intrinsically safe and ATEX Ex options available.



Function

5/2  5/2 configuration for double-acting actuators. De-energized state, with supply to port 1, flow is directed to port 4 and port 2 is vented to atmosphere via port 3.

3/2  3/2 configuration for spring return actuators. De-energized state, supply port 1 is blocked and port 2 exhaust is fed back to port 4 with excess vented to atmosphere via port 3.

Media

- Compressed air, lubricated or non-lubricated
- Instrument air
- Nitrogen

Applications

- Control of quarter-turn and linear process valve actuators
- Control of diaphragm valves
- General automation

Veltri Controls WORLD CLASS VALVE ACCESSORIES

2365 DUNCASTER DRIVE., BURLINGTON, ONTARIO, CANADA L7P 3V9
TEL: 905-510-8509, FAX: 905-319-3553, E-MAIL: sales@veltricontrols.com www.veltricontrols.com

v-solenoid IITM

STANDARD SERIES

Specifications:

Temp (Standard): -4°F to +140°F [-20°C to +60°C]
 (Optional): Low Temp to -40°F [-40°C]

Flow: Cv=0.8

Pressure: 35 to 120 psig [2.5 to 8 bar]

Ports: 1/4" NPT and NAMUR flange

Response: opening (on) 20ms,
 closing (off) 40ms

Media: Compressed air-lubricated or
 unlubricated, Instrument air, Nitrogen.

Construction:

Valve body: Reinforced polyamide (PA)
 Sealing material: Proprietary elastomer
 Ports: MS zinc plated (stainless optional)

Options:

- 1/8" NPT Speed controls
- 1/8" NPT Exhaust mufflers
- Mounting Base
- Imperial mounting fasteners

STANDARD DELIVERY INCLUDES:
 M5 FASTENERS (PLATED) & O-RINGS FOR NAMUR MOUNT.

COILS AND CONNECTORS SOLD SEPERATELY

Electrical:

Voltage (+/-10%): 12VDC
 24VDC
 120VAC 50/60Hz
 240VAC 50/60Hz

OTHER COIL VOLTAGES AVAILABLE UPON REQUEST.

Power consumption: DC 4.8W
 AC 60Hz 6.9VA
 AC 50Hz 8.5VA

LOW POWER COILS AVAILABLE UPON REQUEST.

Duty cycle: 100% continuous service

Insulation class: F

Connection: DIN industrial form

Protection class: IP65
 NEMA Types 1,2,3,3S,4 and 4X.

Connector:

Standard: DIN industrial form, suitable for
 all voltages up to 250V AC/DC.

Optional: 1/2" Conduit
 LED AC/DC

OTHER CONNECTORS AVAILABLE UPON REQUEST.

Ordering Table A: V-Solenoid II Valve

| PART NO. | VALVE |
|---------------|---|
| VS2-14NZIP | V-SOLENOID II VALVE W/ 1/4" NPT INLET, ZINC PLATED HARDWARE |
| VS2-14NZIP-LT | V-SOLENOID II VALVE W/ 1/4" NPT INLET, ZINC PLATED HARDWARE, LOW TEMP |

Ordering Table B: Coil

| PART NO. | VOLTAGE / TYPE |
|----------|--------------------------------|
| CLA012DC | COIL, 12VDC CSA / UL APPROVED |
| CLA024DC | COIL, 24VDC CSA / UL APPROVED |
| CLA120AC | COIL, 120VAC CSA / UL APPROVED |
| CLA240AC | COIL, 240VAC CSA / UL APPROVED |

EXAMPLE 1: V-SOLENOID II VALVE W/ 1/4" NPT INLET, ZINC PLATED HARDWARE + COIL, 120VAC CSA/UL, STANDARD DIN CONNECTOR = **VS2-14NZIP/CLA120AC/D22STD000**

EXAMPLE 2: V-SOLENOID II VALVE W/ 1/4" NPT INLET, **LOW TEMP SEALS**, ZINC PLATED HARDWARE + COIL, 24VDC CSA/UL, 1/2" CONDUIT CONNECTOR (NO LEADS) = **VS2-14NZIP-LT/CLA024DC/D2212C000**

Ordering Table C: Valve Options

| PART NO. | OPTION |
|----------|---------------------------|
| SC18 | SPEED CONTROL, 1/8" NPT |
| EM18 | EXHAUST MUFFLER, 1/8" NPT |
| MB14 | MOUNTING BASE, 1/4" NPT |
| F1032 | #10-32 FASTENERS |
| F1024 | #10-24 FASTENERS |

Ordering Table D: DIN Connector

| PART NO. | CONNECTOR TYPE / VOLTAGE |
|-----------|-------------------------------|
| D22STD000 | CON, STD CSA / UL |
| D22LED024 | CON, LED 24VAC/DC, CSA / UL |
| D2212C000 | CON, 1/2" CONDUIT NO LEADS |
| D2212C18L | CON, 1/2" CONDUIT W/18" LEADS |

Veltri Controls WORLD CLASS VALVE ACCESSORIES

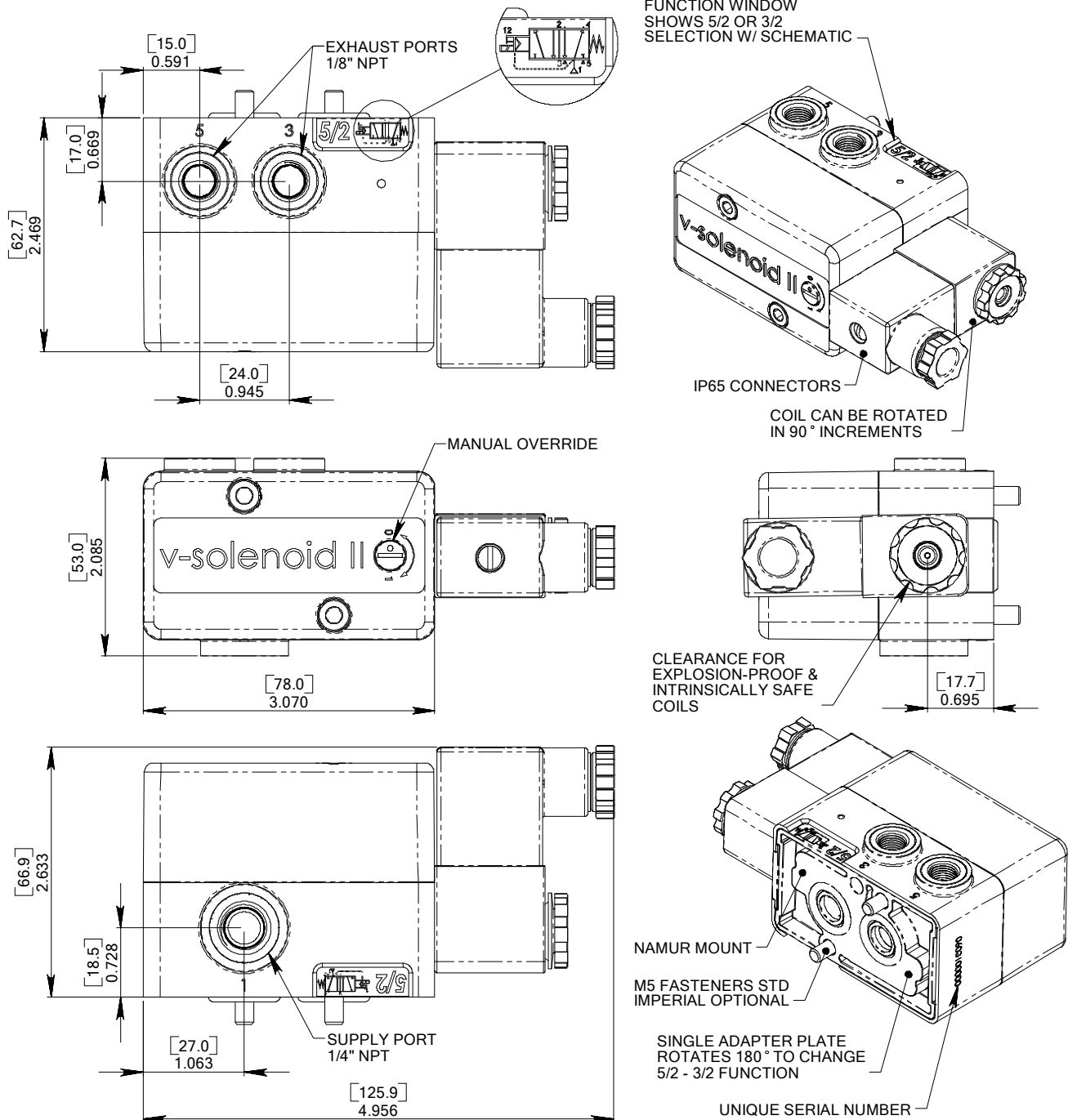
2365 DUNCASTER DRIVE., BURLINGTON, ONTARIO, CANADA L7P 3V9
 TEL: 905-510-8509, FAX: 905-319-3553, E-MAIL: sales@veltricontrols.com www.veltricontrols.com

v-solenoid II™

STANDARD SERIES

For Explosion-Proof, Intrinsically safe, or ATEX options, please contact **Veltri Controls** or visit our website at www.veltricontrols.com for specific literature relating to these options.

Dimensions: v-solenoid II STANDARD SERIES



As it is our policy to promote continual improvement, we reserve the right to make changes to our products at any time without notice. US and International Patents Pending.

Veltri Controls WORLD CLASS VALVE ACCESSORIES

2365 DUNCASTER DRIVE., BURLINGTON, ONTARIO, CANADA L7P 3V9
 TEL: 905-510-8509, FAX: 905-319-3553, E-MAIL: sales@veltricontrols.com www.veltricontrols.com